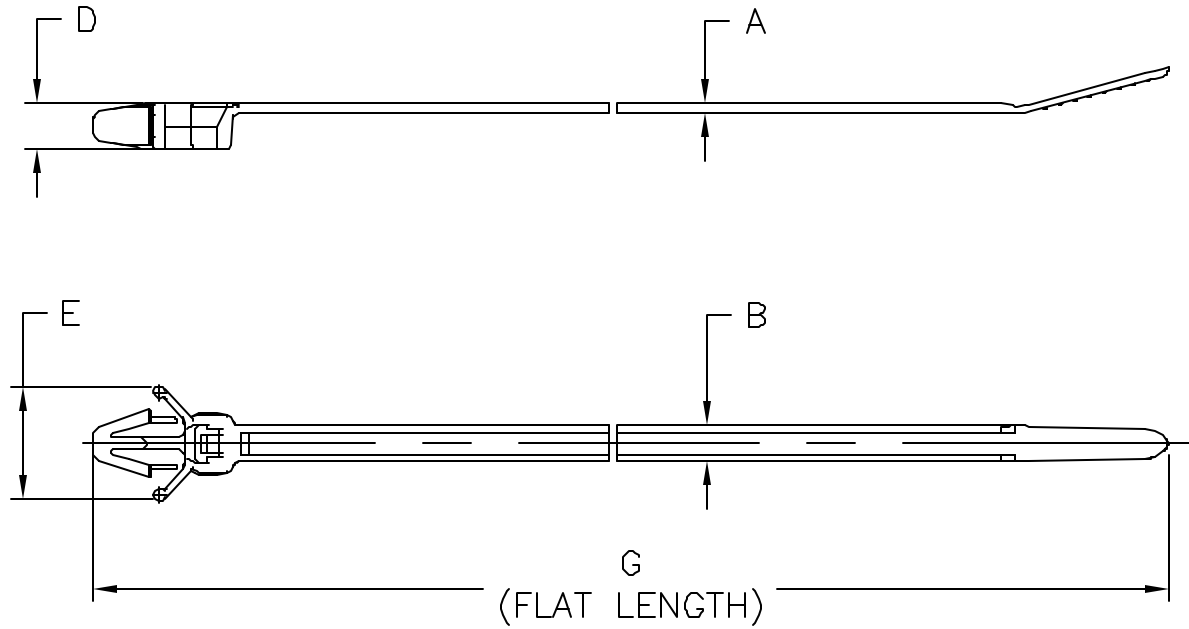


Revision level		Revision Record	Changed	Date	Approved	Date
part	drawing					
-	02	See ECN 010831	A.A.C.	08/28/07	K.A.C.	08/28/07



02

Product Code	Cable Range (mm)	Material	Panel Hole Dia	Panel Thickness	A	B	D	E	G	Min Loop Tensile Strength (newtons)
T50SSF	3.2 to 35	PA6.6	6.0 to 6.6	0.7 to 3.0	1.2 ±0.2	4.6±0.2	5.6 ±0.5	14.7 ±1.5	160.0 ±5.0	225
T50SSF_HIRHS		PA6.6HIRHS								

SEE CHART

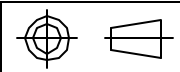
Material

Dimension tolerances unless otherwise specified
 .XXXX = ± .0130
 .XXX = ± .130
 .XX = ± .30
 .X = ± .8
 < = ± 0.5

Dimension Units mm

PERFORMANCE SPECIFICATION

ACAD MECH
2008



Drawn
Approved

A.A.C.
K.A.C.

02/15/07
08/28/07

Scale 1:1
Title

Computer File Number
CT\CST\CT07-004-002_02

ALL PROPRIETARY RIGHTS IN THE SUBJECT MATTER SHOWN ON THIS DRAWING ARE EXCLUSIVE PROPERTY OF HELLERMANN TYTON



T50SSF
WING PUSH MOUNT TIE

Drawing-No
CT07-004-002CST

Format
AH
Sheet 1 of 1

Product Number
Cross Reference Record

Uncontrolled Document

Pre-UNS Number System	(New) UNS Universal Number System	Customer Part Number
Product Number	Product Number	Product Number
T50SSFH(HIRHS)	126-00049	-
Reference Drawing Number: CT07-004-002CST		

Issued By:	(New) UNS Product Number	Issue Date:
HellermannTyton	Universal Numbering System	October 14, 2010